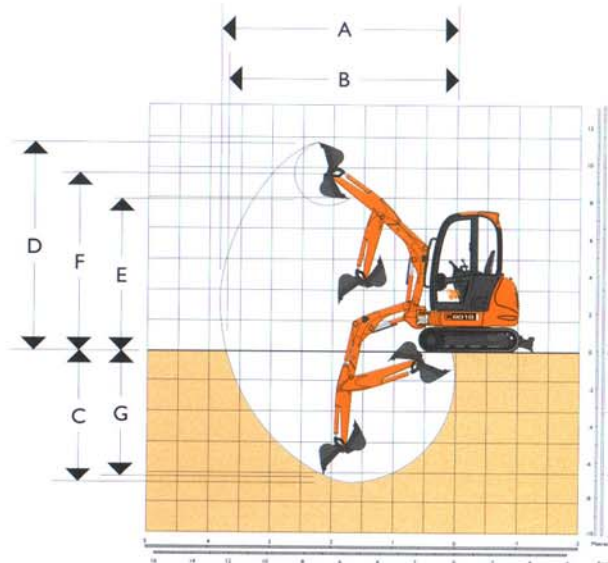
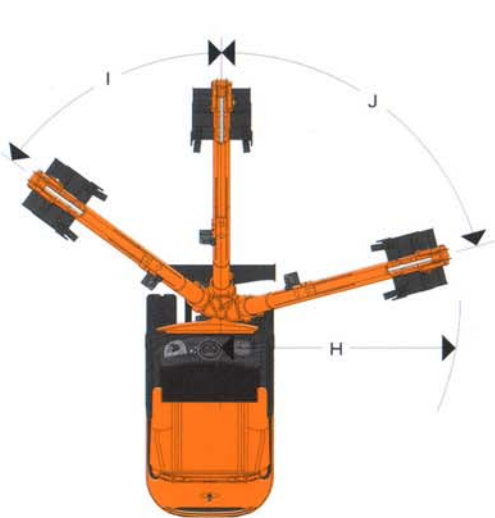
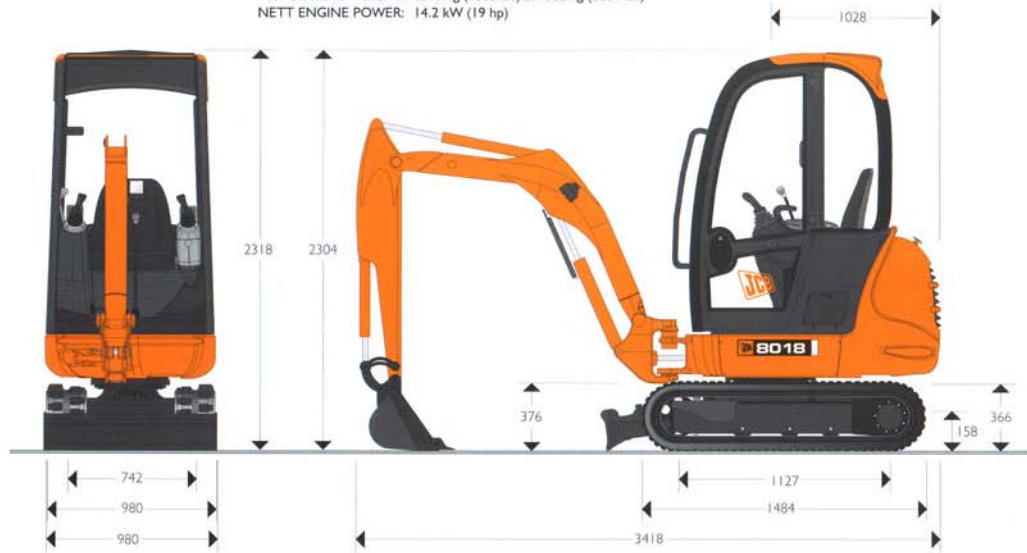




Miniekskavaator JCB 8018

OPERATING WEIGHT: 1590 kg (3505 lbs) & 1662 kg (3664 lbs)
NETT ENGINE POWER: 14.2 kW (19 hp)



Machine model		8018		
Dipper length	mm (ft-in)	1161 (3-10)	1261 (4-2)	1500 (4-11)
A Max digging reach	mm (ft-in)	3933 (12-11)	4028 (13-2½)	4254 (13-11½)
B Max digging reach on ground	mm (ft-in)	3865 (12-8)	3949 (12-11)	4184 (13-8¾)
C Max digging depth – dozer up	mm (ft-in)	2142 (7-0)	2242 (7-4)	2477 (8-1½)
Max digging depth – dozer down	mm (ft-in)	2470 (8-1)	2570 (8-5)	2805 (9-2½)
D Max digging height	mm (ft-in)	3460 (11-4)	3519 (11-6½)	3660 (12-0)
E Max dump height	mm (ft-in)	2568 (8-5)	2626 (8-7)	2765 (9-0¾)
F Max height to dipper nose pivot pin	mm (ft-in)	2973 (9-9)	3032 (9-11)	3172 (10-4¾)
G Max vertical wallcut depth	mm (ft-in)	1750 (5-9)	1845 (6-0½)	2082 (6-10)
H Min. front swing radius (no offset)	mm (ft-in)	1715 (5-7½)	1739 (5-8½)	1791 (5-10½)
Min. front swing radius (fully offset)	mm (ft-in)	1529 (5-0)	1552 (5-1)	1574 (5-2)
I Boom swing left	degrees	55	55	55
J Boom swing right	degrees	75	75	75
Bucket rotation	degrees	198	198	198
Dipper rotation	degrees	112	112	112
Bucket tearout	kN (lbf)	16.2 (3642)	16.2 (3642)	–
Dipper tearout	kN (lbf)	9.2 (2068)	8.3 (1866)	–
Slew speed	rpm	10	10	10

